



0800 082 8001

COOLING & HEATING HIRE SPECIALIST

RS44 MZ 1ph TL

300kW GAS FIRED BURNER

Monoblock Forced Draught Natural Gas Burner

- Fully automatic two stage operation
- Air suction circuit lined with sound proofing material
- Fan with forward curve blades
- Air damper for air flow setting
- Butterfly valve for regulating fuel output on 1st & 2nd stage controlled by servomotor with variable cam
- Starting motor at 2800 rpm
- Housing Cooling System: high thermal insulation and air circulation with continuous air volume refresh
- Minimum air pressure switch
- Microprocessor burner safety control box with diagnostic function
- Burner on/off selection switch
- 1st - 2nd Stage manual switch
- Flame inspection window
- Radio interference protection filter
- IP 44 electric protection level



Specification	
Make	Riello
Model	RS44 MZ
Burner Operation Mode	Two Stage Progressive
Servomotor Type	SQN90
Servomotor Run Time	12 Seconds
Heat Output	101/203-550 kW
Heat Output	87/175-473 Mcal/h
Working Temperature	0 -40 °C
Net Calorific Value G20 Gas	10 kWh/Nm ³
G20 Gas Density	0.71 kg/Nm ³
G20 Gas Delivery	10/20-55 Nm ³ /h
Net Calorific Value G25 Gas	8.6 kWh/Nm ³
G25 Gas Density	0.78 kg/Nm ³
G25 Gas Delivery	12/24-64 Nm ³ /h
Net Calorific Value LPG Gas	25.8 kWh/Nm ³
LPG Gas Density	2.02 kg/Nm ³
LPG Gas Delivery	4/8-21 Nm ³ /h
Sound Pressure	72 dBA

Fan Type	Centrifugal with Forward Curve Blades
Electrical Supply	1ph 50 Hz 230v
Control Box	RMG
Total Electrical Power	0.7 kW
Protection Level	IP 40
Motor Electrical Power	0.42 kW
Rated Motor Current	3.5 A
Motor Start Up Current	17 A
Motor Protection Level	IP 40
Ignition Transformer V1-V2	230v 1x15 kV
Ignition Transformer I1-I2	1A 25 mA
Operation	Intermittent (at least one stop every 24h)
CO Emissions	<40 mg/kWh
NOx Emissions	<120 mg/kWh
Conforming to	EN 676
Certification	CE 0085BR0381
Dimensions (W x L x H)	442 x 859 x 422

Call us Free on 0800 082 8001 Or Visit www.allseasonshire.com



ALL SEASONS HIRE

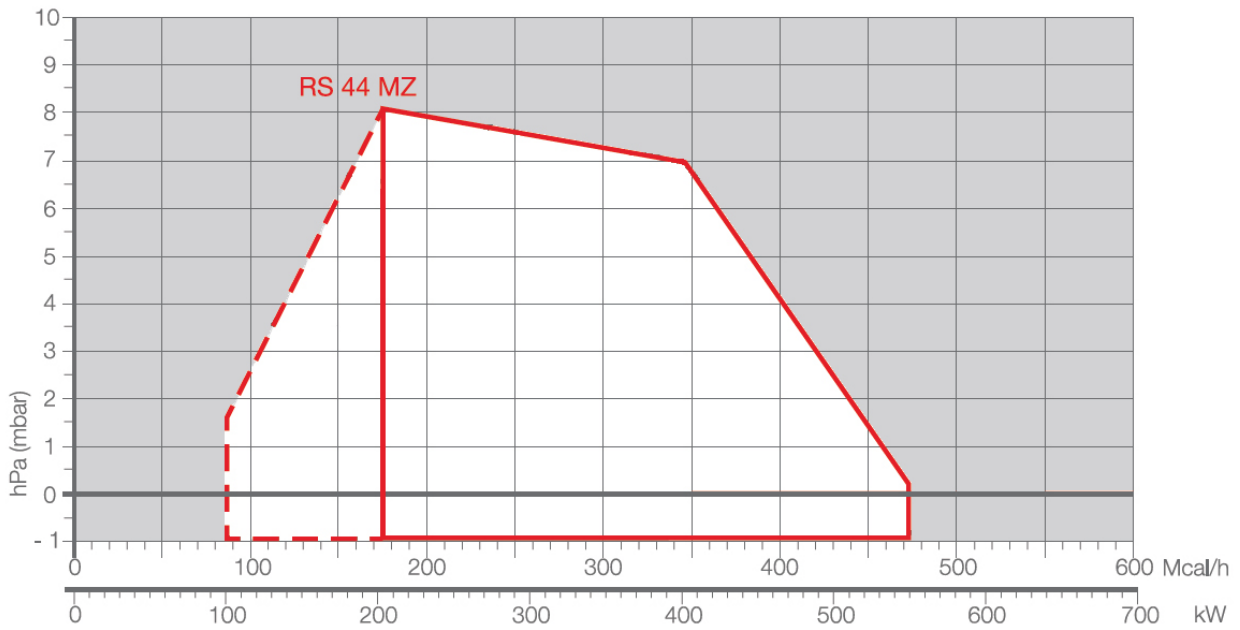
0800 082 8001

COOLING & HEATING HIRE SPECIALIST

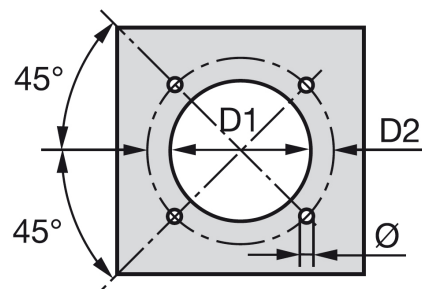
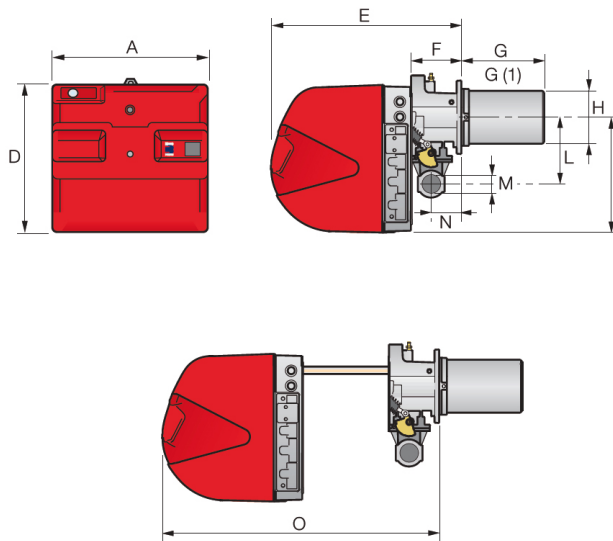
RS44 MZ 1ph TL

300kW GAS FIRED BURNER

Firing Rate



Boiler Mounting Flange



D1	D2	Ø
160	224	M8

A	D	E	F	G-G(1)	H	I	L	M	N	O
442	422	508	138	216-351	152	305	177	1½"	84	780

Call us Free on 0800 082 8001 Or Visit www.allseasonshire.com