



## 0800 082 8001

### COOLING & HEATING HIRE SPECIALIST

## RL34 MZ TL

## 300kW OIL FIRED BURNER

### Monoblock Forced Draught Oil Burner

- Fully automatic two stage operation
- Air suction circuit lined with sound proofing material
- Fan with forward curve blades
- Air damper for air flow setting with adjustable hydraulic ram
- Starting motor at 2800 rpm
- Housing Cooling System: high thermal insulation and air circulation with continuous air volume refresh
- Oil safety valve and two delivery oil valves on the output circuit
- Photocell for flame detection
- Microprocessor burner safety control box with diagnostic function
- Burner on/off switch
- Flame inspection window
- 1<sup>st</sup> - 2<sup>nd</sup> Stage manual switch
- Radio interference protection filter
- IP 44 electric protection level



Specification	
Make	Riello
Model	RL34 MZ
Burner Operation Mode	Two Stage
Modulation Ratio to Max Output	2 ÷ 1
Heat Output	97/154-395 kW
Heat Output	83/133-340 Mcal/h
Heat Output	8.3/13-33.6 Kg/h
Working Temperature	0-40 °C
Net Calorific Value	11.8 kWh/kg
Net Calorific Value	10,200 Kcal/kg
Viscosity at 20°C	4 - 6 mm <sup>2</sup> /s (cSt)
Pump Type	AN 57C
Pump Output	45 kg/h @ 12 bar
Atomised Pressure	12 bar
Oil Temperature (max)	50 °C
Air Temperature (max)	60 °C
Sound Pressure	70 dBA
Fan Type	Centrifugal with forward curve blades
Electrical Supply	1ph 50 Hz 230v

Auxiliary Electrical Supply	1ph 50 Hz 230v
Control Box	RMO 88.53
Total Electrical Power	0.6 kW
Auxiliary Electrical Power	0.3 kW
Protection Level	2XD
Motor Electrical Power	0.3 kW
Rated Motor Current	2.4 A
Motor Start Up Current	9.6 A
Motor Protection Level	IP 20
Ignition Transformer V1-V2	230v 2x12kV
Ignition Transformer I1-I2	0.2 A 30 mA
Operation	Intermittent (at least one stop every 24h) Continuous (at least one stop every 72h)
CO Emissions	<40 mg/kWh
Grade of Smoke Indicator	<1 N° Bach
C <sub>x</sub> H <sub>y</sub> Emission	<10 mg/kWh
NOx Emissions	<185 mg/kWh
Conforming to	EN 267
Certification	CE 00360383/07
Dimensions (W x L x H)	442 x 859 x 422mm

Call us Free on 0800 082 8001 Or Visit [www.allseasonshire.com](http://www.allseasonshire.com)



ALL SEASONS HIRE

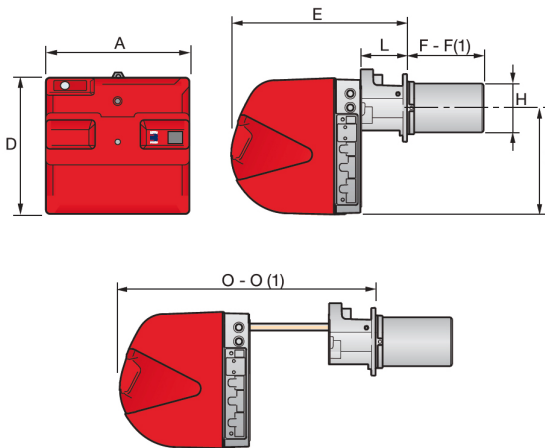
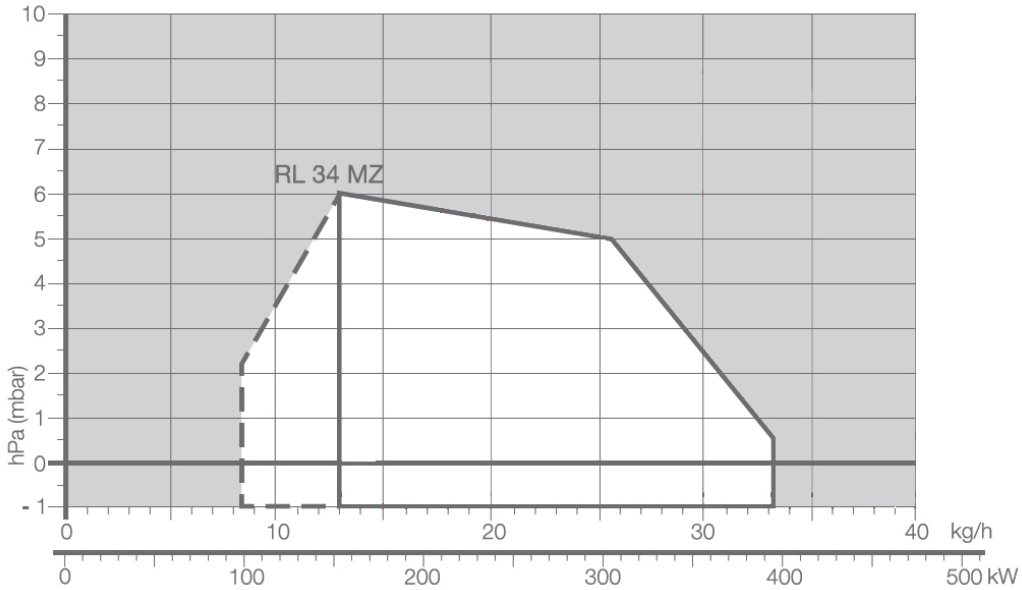
0800 082 8001

COOLING & HEATING HIRE SPECIALIST

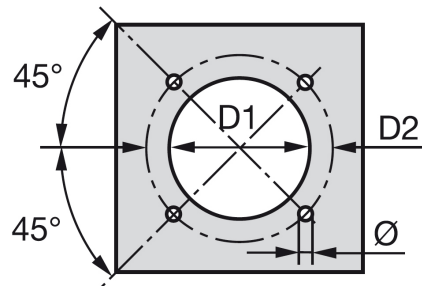
# RS34 MZ TL

# 300kW OIL FIRED BURNER

Firing Rate



Boiler Mounting Flange



A	D	E	F-F(1)	H	I	L	O-O(1)
442	422	508	216-351	140	305	138	780-915

D1	D2	Ø
160	224	M8

Call us Free on 0800 082 8001 Or Visit [www.allseasonshire.com](http://www.allseasonshire.com)