



0800 082 8001

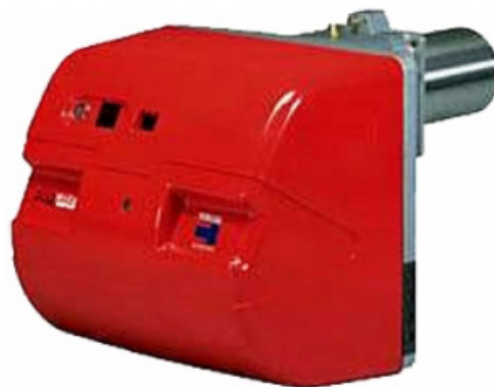
COOLING & HEATING HIRE SPECIALIST

RS50 TL

400kW GAS FIRED BURNER

Monoblock Forced Draught Natural Gas Burner

- Fully automatic two stage operation
- Air suction circuit lined with sound proofing material
- Fan with reverse curve blades
- Air damper for air flow setting
- Butterfly valve for regulating fuel output on 1st & 2nd stage controlled by servomotor with variable cam
- Starting motor at 2800 rpm
- Minimum air pressure switch
- Microprocessor burner safety control box with diagnostic function
- Burner on/off selection switch
- 1st - 2nd Stage manual switch
- Flame inspection window
- Radio interference protection filter
- IP 44 electric protection level



Specification	
Make	Riello
Model	RS50 TL
Burner Operation Mode	Two Stage Progressive
Modulation Ratio at Max Output	2÷1
Servomotor Type	SQN90
Servomotor Run Time	12 Seconds
Heat Output	116/290-581 kW
Heat Output	100/249-500 kW
Working Temperature	0 - 40 °C
Net Calorific Value G20 Gas	10 kWh/Nm ³
G20 Gas Density	0.71 kg/Nm ³
G20 Gas Delivery	11.6/29-58 Nm ³ /h
Net Calorific Value G25 Gas	8.6 kWh/Nm ³
G25 Gas Density	0.78 kg/Nm ³
G25 Gas Delivery	13.5/34-68 Nm ³ /h
Net Calorific Value LPG Gas	25.8 kWh/Nm ³
LPG Gas Density	2.02 kg/Nm ³
LPG Gas Delivery	4.5/11-23 Nm ³ /h
Fan Type	Centrifugal with Reverse Curve Blades

Air Temperature (max)	60 °C
Electrical Supply	3ph 50 Hz 400v
Auxiliary Electrical Supply	1ph 50 Hz 230v
Control Box	RMG
Total Electrical Power	0.75 kW
Auxiliary Electrical Power	0.12 kW
Protection Level	IP 44
Motor Electrical Power	0.65 kW
Rated Motor Current	3-1.7 A
Motor Start Up Current	13.8-8 A
Motor Protection Level	IP 54
Ignition Transformer V1-V2	230v 1x8 kV
Ignition Transformer I1-I2	1A 20 mA
Operation	Intermittent (at least one stop every 24h)
Sound Pressure	72 dBA
CO Emissions	<40 mg/kWh
NOx Emissions	<130 mg/kWh
Conforming to	EN 676
Certification	CE 0085AP0735
Dimensions (W x L x H)	476 x 931 x 474mm

Call us Free on 0800 082 8001 Or Visit www.allseasonshire.com



ALL SEASONS HIRE

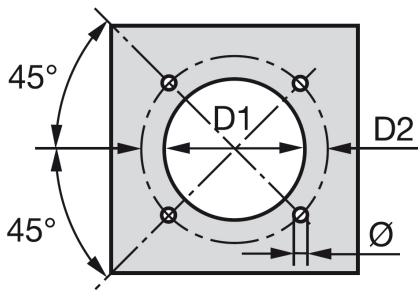
0800 082 8001

COOLING & HEATING HIRE SPECIALIST

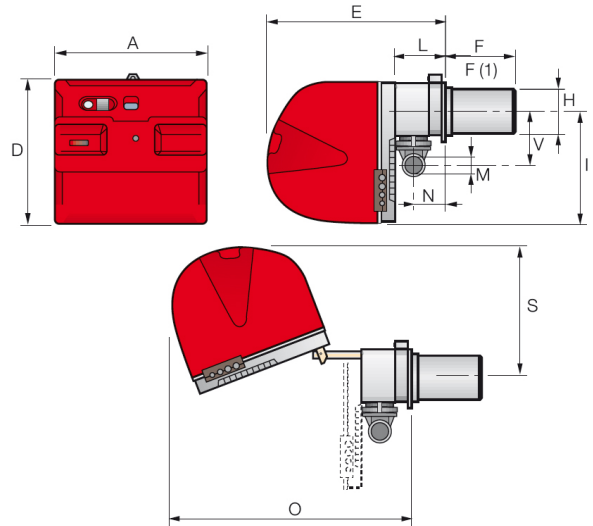
RS50 TL

400kW GAS FIRED BURNER

Boiler Mounting Flange

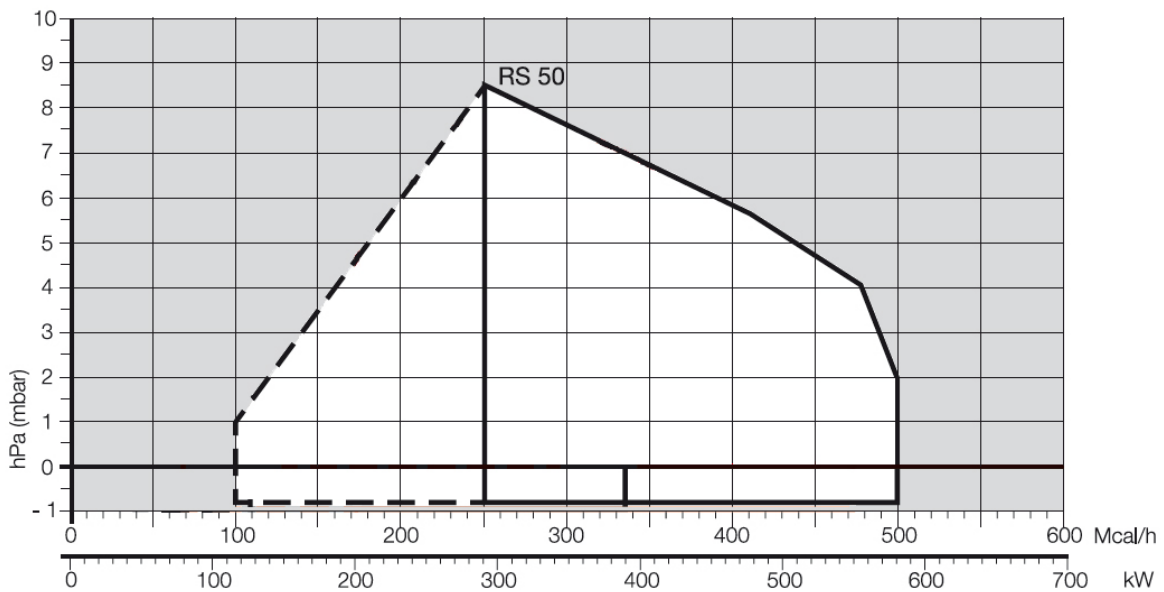


D1	D2	Ø
160	224	M8



A	D	E	F-F(1)	H	I
476	474	580	216-351	152	352
L	M	N	O	S	V
164	1½"	108	810	367	168

Firing Rate



Call us Free on 0800 082 8001 Or Visit www.allseasonshire.com