



RS70 TL

600kW GAS FIRED BURNER

Monoblock Forced Draught Natural Gas Burner

- Fully automatic two stage operation
- Air suction circuit lined with sound proofing material
- Fan with reverse curve blades
- Air damper for air flow setting
- Butterfly valve for fuel outout regulation
- Variable cam servomotor
- Starting motor at 2800 rpm
- Housing Cooling System with high thermal insulation
- Minimum air pressure switch
- Microprocessor burner safety control box with diagnostics
- Burner on/off selection switch
- 1st - 2nd stage manual switch
- Flame inspection window
- Radio interference protection filter
- IP X0D (IP 40) electric protection level



Specification	
Make	Riello
Model	RS70 TL
Burner Operation Mode	Two Stage Progressive
Modulation Ratio at Max Output	2÷1
Servomotor Type	LKS210
Servomotor Run Time	15 Seconds
Heat Output	192/465-814 kW
Heat Output	165/400-700 Mcal/h
Efficiency	90%
Working Temperature	0-40 °C
Net Calorific Value G20 Gas	10 kWh/Nm ³
G20 Gas Density	0.71 kg/Nm ³
G20 Gas Delivery	19/46.5-81.4 Nm ³ /h
Net Calorific Value G25 Gas	8.6 kWh/Nm ³
G25 Gas Density	0.78 kg/Nm ³
G25 Gas Delivery	22/54-95 Nm ³ /h
Net Calorific Value LPG Gas	25.8 kWh/Nm ³
LPG Gas Density	2.02 kg/Nm ³
LPG Gas Delivery	7.4/18-32 Nm ³ /h

Sound Pressure	75 dB(A)
Fan Type	Centrifugal with Reverse Curve Blades
Electrical Supply	3ph 50Hz 230-400v
Auxiliary Electrical Supply	1ph 50Hz 230v
Control Box	RMG
Total Electrical Power	1.4 kW
Auxiliary Electrical Power	0.3 kW
Protection Level	IP 44
Motor Electrical Power	1.1 kW
Rated Motor Current	4.8-2.8 A
Motor Start Up Current	25-14.6 A
Motor Protection Level	IP 54
Ignition Transformer V1-V2	230v - 1x8 kV
Ignition Transformer I1-I2	1A - 20 mA
CO Emissions	<40 mg/kWh
NOx Emissions	<130 mg/kWh
Conforming to	EN 676
Certification	CE 0085AP0944
Dimensions (W x L x H)	511 x 840 x 555mm

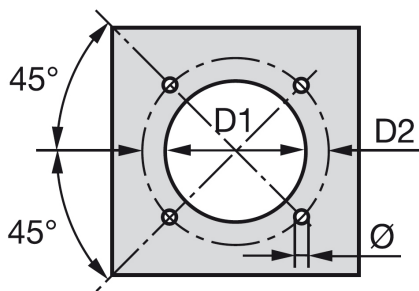
Call us Free on 0800 082 8001 Or Visit www.allseasonshire.com



RS70 TL

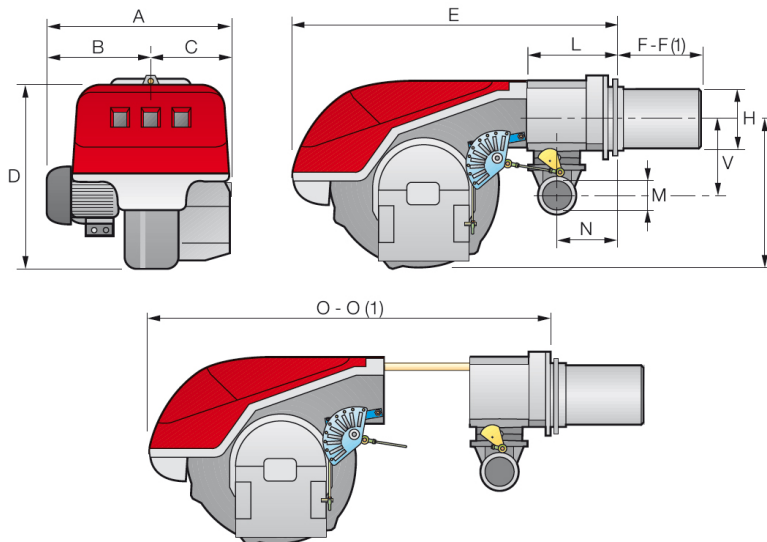
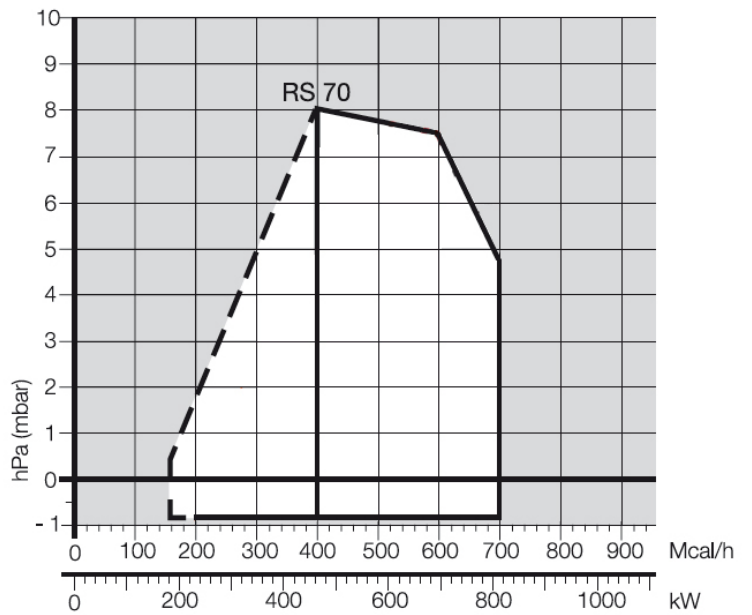
600kW GAS FIRED BURNER

Boiler Mounting Flange



D1	D2	Ø
185	275 - 325	M12

Firing Rate



A	B	C	D	E	F - F(1)	H	I	L	M	N	O - O(1)	V
511	296	215	555	840	250 - 385	179	430	214	2"	134	1161 - 1296	221

Call us Free on 0800 082 8001 Or Visit www.allseasonshire.com