



0800 082 8001

COOLING & HEATING HIRE SPECIALIST

RL70 TL

600kW OIL FIRED BURNER

Monoblock Forced Draught Oil Burner

- Fully automatic two stage operation
- Air suction circuit lined with sound proofing material
- Fan with reverse curve blades
- Air damper controlled by adjustable hydraulic ram
- Starting motor at 2800 rpm
- Combustion head adjustable for output
- Geared pump for high pressure fuel supply
- Valve unit with oil safety valve & 2 delivery oil valves
- Photocell for flame detection
- Microprocessor safety control box with diagnostic function
- Burner on/off switch
- Flame inspection window
- 1st - 2nd Stage manual switch
- Radio interference protection filter
- IP 44 Electric protection level



Specification	
Make	Riello
Model	RL70 TL
Burner Operation Mode	Two Stage
Modulation Ratio to Max Output	2÷1
Heat Output	255/474-830 kW
Heat Output	219/408-714 Mcal/h
Heat Output	21.5/40-70 Kg/h
Working Temperature	0-40 °C
Net Calorific Value	11.8 kWh/kg
Net Calorific Value	10,200 Kcal/kg
Viscosity at 20°C	4 - 6 mm ² /s (cSt)
Pump Type	AL 95C
Pump Output	107 kg/h @ 12 bar
Atomised Pressure	12 bar
Oil Temperature (max)	50 °C
Air Temperature (max)	60 °C
Sound Pressure	75 dBA
Fan Type	Centrifugal with Reverse Curve Blades

Electrical Supply	3ph 50 Hz 400v
Auxiliary Electrical Supply	1ph 50 Hz 230v
Control Box	RBO 522
Total Electrical Power	1.4 kW
Protection Level	IP 44
Motor Electrical Power	1.1 kW
Rated Motor Current	4.8 - 2.8 A
Motor Start Up Current	25 - 14.6 A
Motor Protection Level	IP 54
Ignition Transformer V1-V2	230v 2x5 kV
Ignition Transformer I1-I2	1.9A 30 mA
Working	Intermittent (at least one stop every 24h)
CO Emissions	<40 mg/kWh
Grade of Smoke Indicator	<1 N° Bach
C _x H _y Emission	<10 mg/kWh
NO _x Emissions	<200 mg/kWh
Conforming to	EN 267
Certification	DIN 5G424/99
Dimensions (W x L x H)	580 x 1065 x 555mm

Call us Free on 0800 082 8001 Or Visit www.allseasonshire.com



ALL SEASONS HIRE

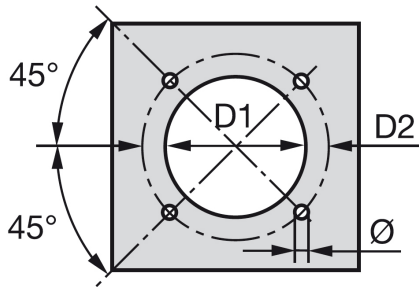
0800 082 8001

COOLING & HEATING HIRE SPECIALIST

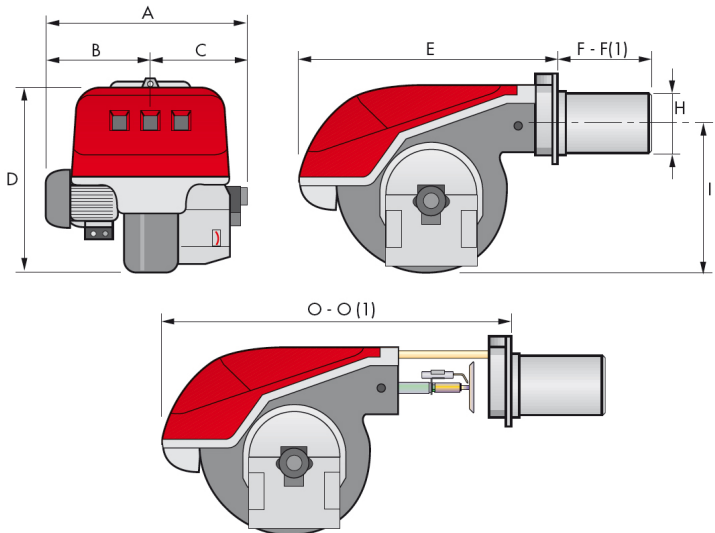
RL70 TL

600kW OIL FIRED BURNER

Boiler Mounting Flange

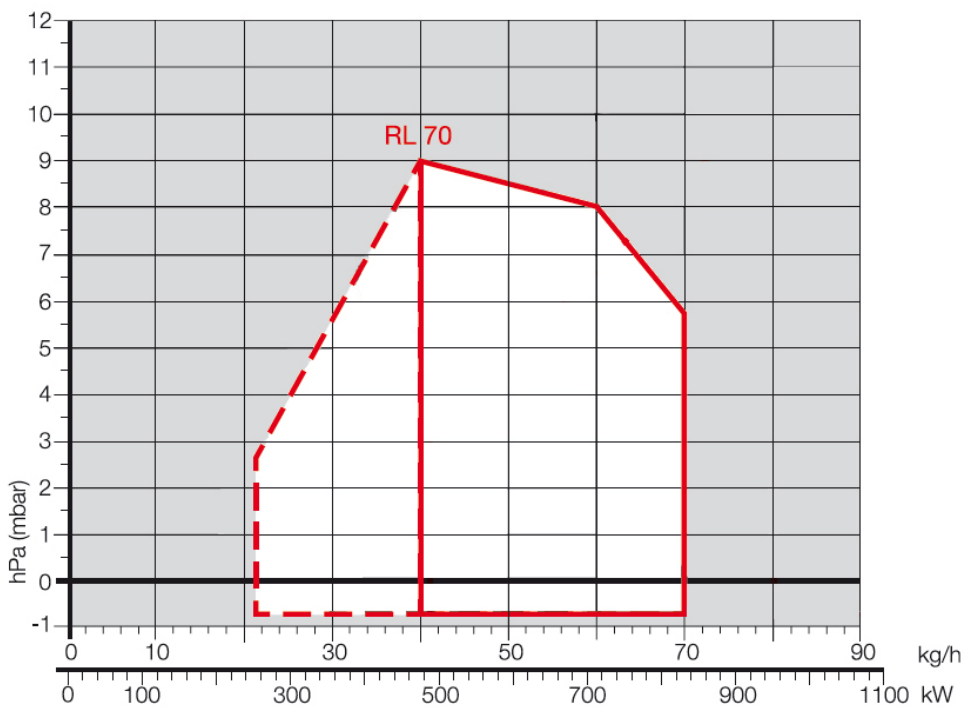


D1	D2	Ø
185	275 - 325	M12



A	B	C	D	E	F-F(1)	H	I	O-O(1)
580	296	284	55	680	250-385	179	430	951-1086

Firing Rate



Call us Free on 0800 082 8001 Or Visit www.allseasonshire.com