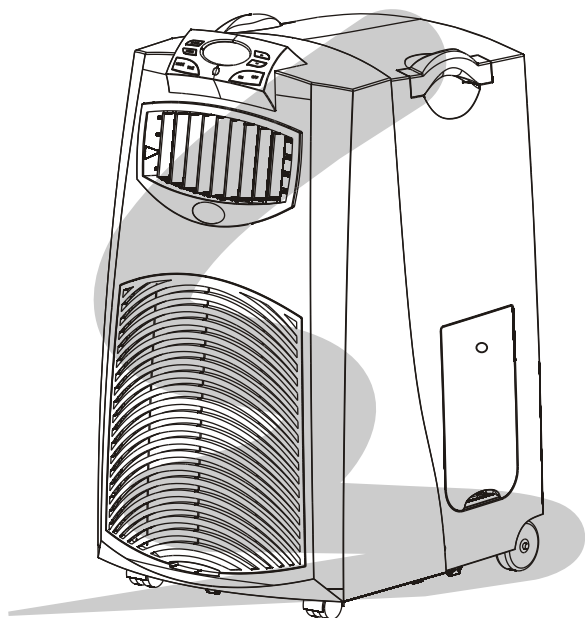


MOBILE AIR CONDITIONER

Manual Instruction



Model KY-44/A

Please read this manual instruction carefully before operation.

Table of Contents

■ <i>Safety Cautions</i>	1
■ <i>Structure</i>	2
■ <i>Operations</i>	5
■ <i>Maintenance</i>	12
■ <i>Technical Specifications</i>	14
■ <i>Trouble Shooting</i>	15
■ <i>After Sales Service</i>	16
■ <i>Packing List</i>	16

Safety cautions

Warnings

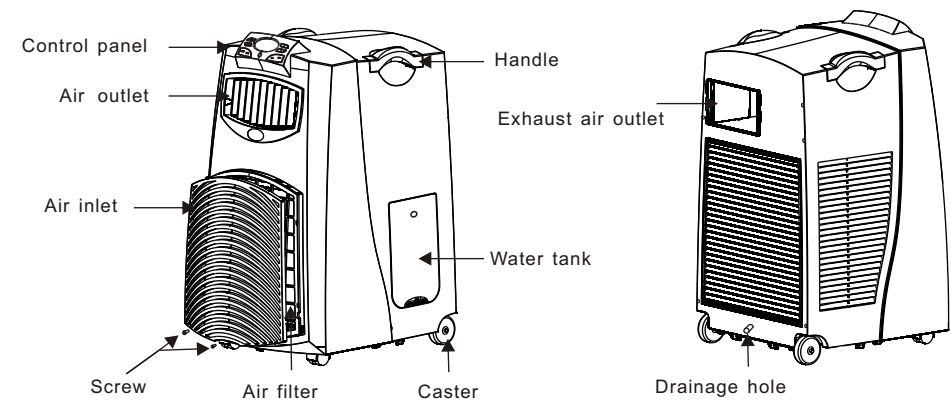
- Never place the unit near any gas appliances, fire or flammable liquid.
- Never hit or shake the unit to prevent damage.
- Never cover or obstruct the air inlet or outlet to prevent overheating.
- Never spray water or place the unit near water to prevent electric shocks.
- Make sure to have a professional technician, manufacturer or a service agent to replace a damaged power cord.
- Never share the power outlet with other appliances.
- Never connect or disconnect the power plug with wet hands to avoid electric shocks.
- Never put rods or objects into the opening of the unit.
- Never use an extension cord.
- Do not let children play near the unit.
- To defend the compressor, When restart the unit, It will take at least 3 minutes to work again.

Cautions

- Keep the unit at least 1 meter away from TV or radios to avoid electromagnetic interference.
- Do not expose the unit under sunlight to avoid surface color fading.
- Do not tilt the unit for more than 35° or upside-down while transporting.
- Place the unit on a flat surface with less than 5° inclination.
- The unit operates more efficiently in certain room locations (see Technical Specifications).
- Empty the condensed water tank before putting the unit in storage to prolong the unit lifetime at the end of the season.
- Do not use chemical solvents (e.g. Benzene, alcohol-glazer) to clean the unit surface to avoid scratching, damaging the surface
- Please empty the condenser water from the unit before move or incline it in order to avoid water leaking.

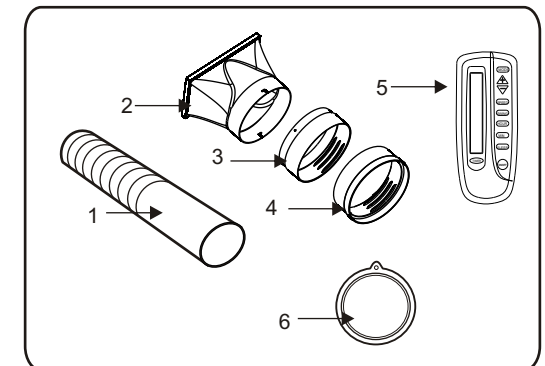
Structure

Body part



Accessories

1. Exhausted air duct
2. Exhausted air duct inlet connector
3. Mid-connector
4. Exhausted air duct outlet connector
5. Remote control
6. Exhausted air duct cover

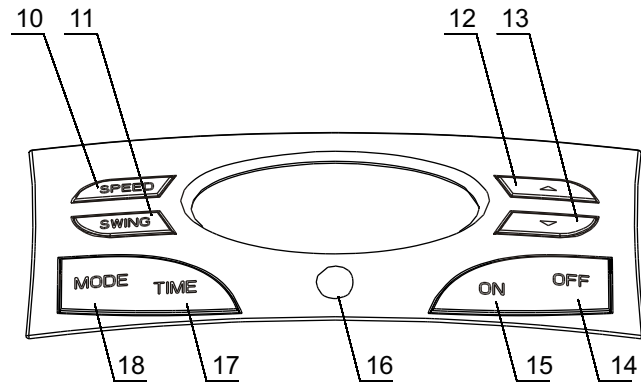
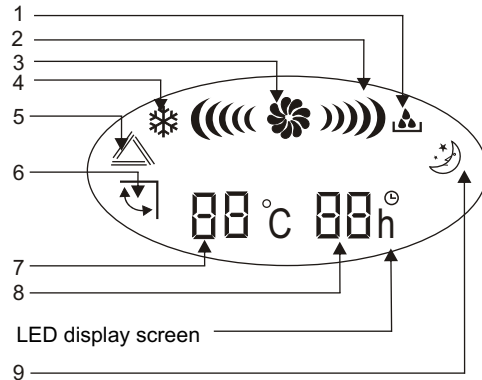


Structure

Control panel

LED display icon

1. Dehumidify mode indicator
2. Fan speed
3. Fan Mode indicator
4. Cooling mode indicator
5. Automatic mode indicator
6. Swing indicator
7. Room Temperature
8. Set time
9. Sleep mode indicator
10. Speed button
11. Swing button
12. Time / Temperature up
13. Time / Temperature down
14. Off button
15. On button
16. Signal Receptor
17. Timer button
18. Mode button

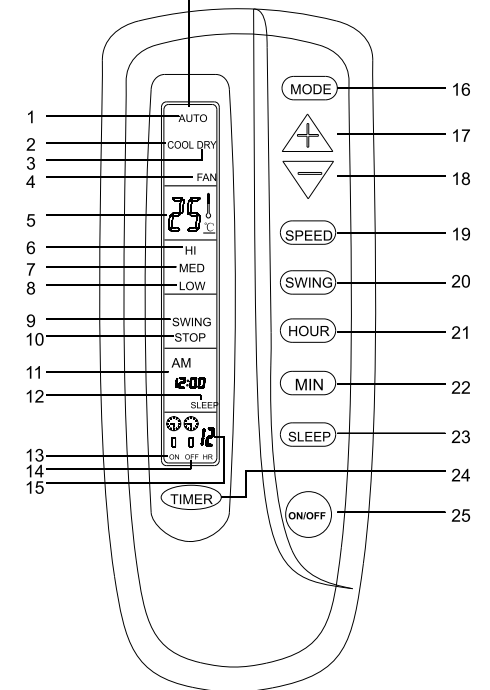


Structure

Remote control

1. Automatic mode indicator
2. Cooling mode indicator
3. Dehumidify mode indicator
4. Fan mode indicator
5. Room temperature
6. High speed indicator
7. Medium speed indicator
8. Low speed indicator
9. Swing running indicator
10. Swing stop indicator
11. Clock display
12. Sleep mode indicator
13. Automatic on indicator
14. Automatic off indicator
15. Timer
16. Mode button
17. Timer/Temperature up
18. Timer/Temperature down
19. Speed button
20. Swing button
21. Clock hour button
22. Clock minute button
23. Sleep button
24. Timer button
25. On/Off power button

LCD display screen



Operation

Do not operate in cooling and dehumidifying mode when room temperature exceeds DB35 °C ,RH=70%.

■ Control panel operation

● Automatic, Dehumidify, Cooling, Fan mode operation

1. Turn on the unit

- Plug in the power cord. The unit beeps twice.
- Press the "On/Off" button to turn on the unit.
The LED displays the room temperature and operate in Automatic mode.

2. Select operating mode

Press the "Mode" button to select a desired mode shown below:

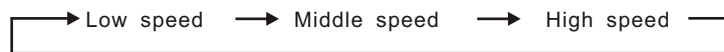


3. Adjusting Temperature

The adjustable temperature range is 15~31°C. Press ▲ (temp up) or ▼ (temp down) button to increase or decrease by 1°C. The unit LED shows the target temperature for 5 seconds and then displays the room temperature.

4. Adjusting Fan Speed

Press the "Speed" button to select a desired fan speed shown below:



5. Turn off

When you press "On/Off" button, the unit will emit "di" and stop working.

Notic:

Each mode working principle

*Automatic mode:

Operation

- Once the Automatic Operation is selected, the indoor temperature sensor operates automatically to select the desired operation mode with Cooling or Fan.
- When the room temperature $\geq 24^{\circ}\text{C}$, the unit automatically selects cooling mode and the upper fan turned to low speed automatically.
- When the room temperature $\leq 23^{\circ}\text{C}$, the unit automatically to selects fan mode and the upper fan turned to low speed automatically.

*Dehumidifying mode

- The front fan will run at low speed, the speed is not adjustable.
- The compressor and back fan with 8 mins. ON and 6 mins. OFF automatically.
- The unit adopts constant temperature dehumidifying mode, adjustment of temperature is no effective.

*Cooling mode:

- When the room temperature is higher than set temperature, The compressor starts running.
- When the room temperature is lower than set temperature, the compressor stop and front fan operates at original set speed.

*Fan mode:

- The Front fan run at set speed, the compressor and back motor do not run.
- The temperature is not adjustable.

● Timer operation

- Press "Timer" button to set Automatic Off time while the unit is running.
- Press "Timer" button to set Automatic On time while the unit is ready.
- The adjustable time range is 1~12 hour, The interval of each press of ▲ and ▼ is 1 hour. The timer will display in LED window correspondingly.

● Swing operation

- Press "Swing" button to change airflow direction. The unit default setting is straight airflow.
- Press "Swing" button once, the airflow direction will change to swing at 120° right-left.

● Sleep operation

- Sleep operation is useful when the unit under cooling mode.
- Press Sleep Button, it will work under sleep mode and the upper fan turned to low speed automatically. The setting temperature will be increased 1°C automatically, and after one hour's working, it will be increased 1°C again automatically. After working 8 hours under sleep mode, the unit will stop.

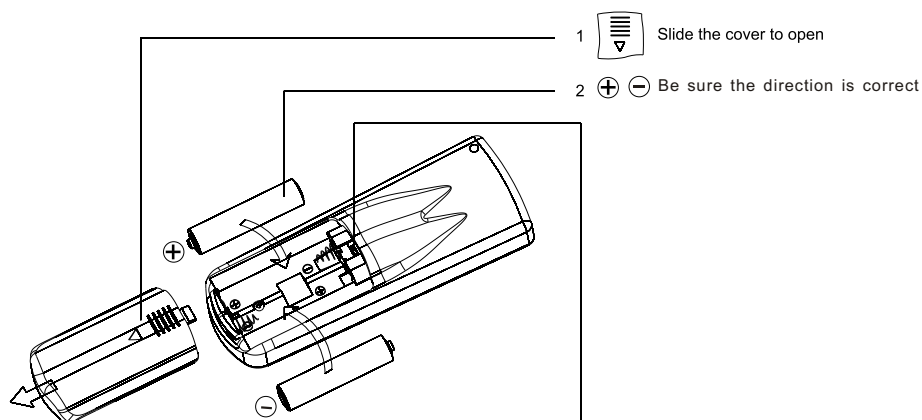
Operation

Notice:

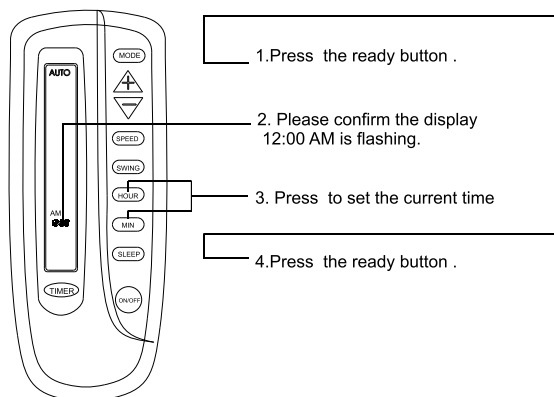
1. The main control board has memory function, when the unit is ready to run but in stop status, the main control board can memorize the initialization of working mode. When you turn on the unit, it will work as the same enactment of working-mode as last time, no need to reset the working mode again. (This condition is not available when the unit is under "Auto on" mode).
2. On Dehumidify or Cool mode, the unit will begin working in 3 minutes when it's restarted.

Remote Control operation

Inserting batteries



Setting the clock



Operation

How to mounting or change Batteries

1. The polarity of batteries must match the indicator in the remote control.
2. Don't mix new and old batteries in remote control.
3. If the remote control will not be used for a long time, take batteries out to avoid corrosion.
4. The batteries must be removed from the remote control before it is scrapped and that they are disposed of safety.

How to operate the Remote Control

1. There are two methods to Automatic, Dehumidify, Cooling, Fan mode operation for Remote

Control:

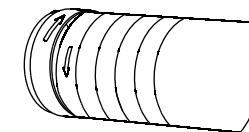
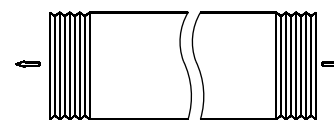
1. Turn on the unit Select working mode >> Adjustment for temperature >> Adjustment for fan speed >> Turn off. (This operation method is same alike to control panel operation)
2. Select working mode >> Adjustment for temperature >> Adjustment for fan speed >> Turn on the unit >> Turn off.

Timer, swing, sleep operation method is same alike to control panel operation.

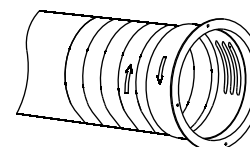
Air Exhaust Duct Operation

How to connect the connectors to the Exhaust air duct

1. Extend the exhaust air duct by drawing out the two ends of the duct
2. Screw the exhaust air duct into the mid-connector

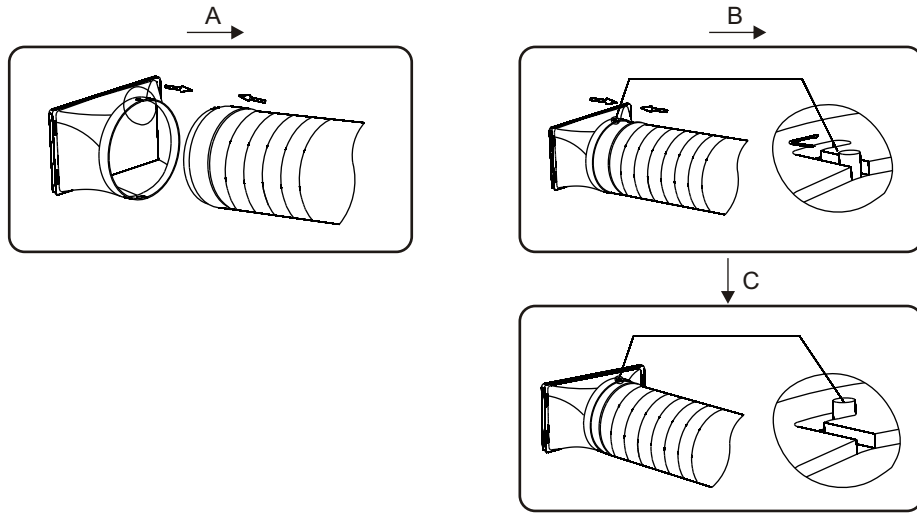


3. Screw the exhaust air duct into the outlet connector

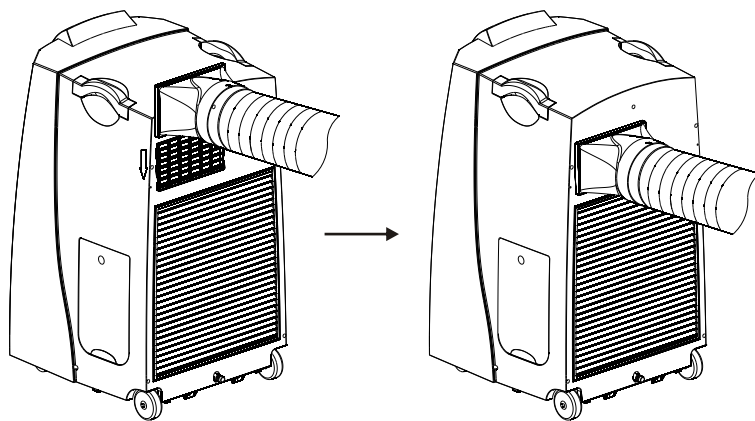


Operations

4. Screw the mid connector into the inlet connector



5. Connect the inlet connector onto the unit

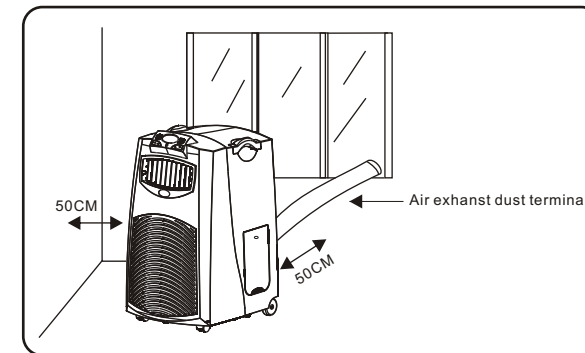


Operations

You can use the following methods to exhaust hot air:

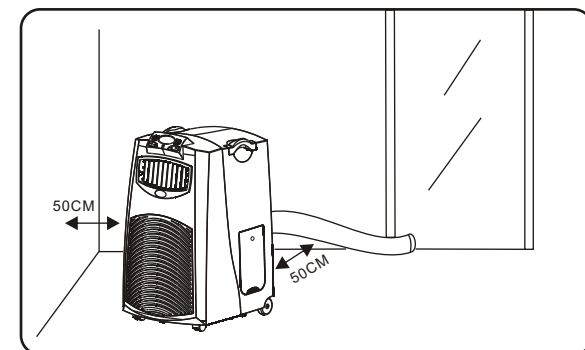
- Exhaust hot air from window

Open window for a small angle to put air exhaust duct to terminal window and fix it on the window.



- Exhaust hot air from door

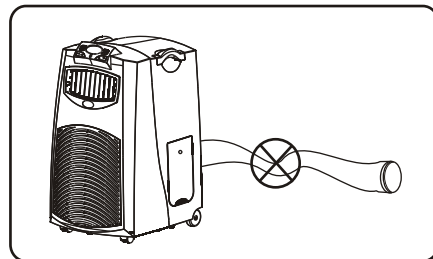
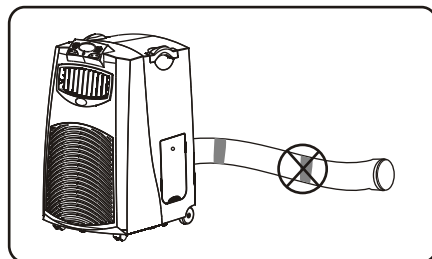
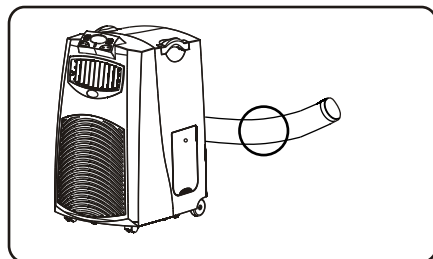
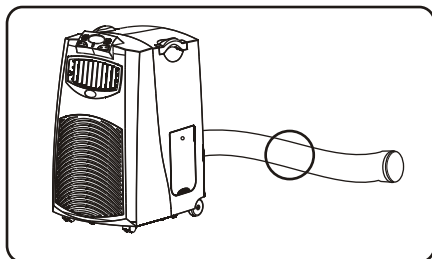
1. Open door to an appropriate angle to fit air exhaust duct terminal to outside.
2. For the wide-open using, air exhaust dust can put on ground directly.
3. When not using the unit, unassembled air exhaust duct from unit and store it carefully.



Operations

Note

1. Air exhaust duct can be extended from 0.55 to 1.5 meters; the unit works more efficiently while the air exhaust duct is shorter.
2. Please make sure the air exhaust duct is not distorted, or flow back heat to increase the unit interior temperature. If so, the unit will stop running automatically.
3. Please make sure not use other specifications' air exhaust duct, or extend air exhaust duct length. Otherwise, the unit working efficiency will decrease.



MAINTENANCES

■ Filter Cleaning and Changing

Open the air filter

Take out air filter cover from back air inflow vent.

Clean

Wash the air filter by immersing it gently into warm (about 40°C) water with a neutral detergent, rinse the filter of detergent and dry it thoroughly in a shaded place.

Mounting

Push the air filter cover into air inflow vent.

Notes

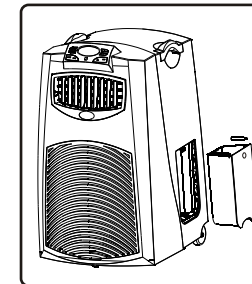
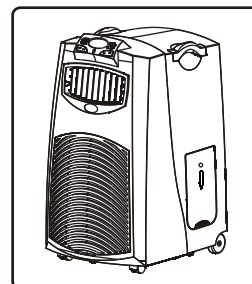
1. Turn off unit before cleaning, confirm pull out socket to avoid electric shock.
2. If the air filter is blocked with lots of dust, the airflow volume will decrease. Suggest cleaning the filter once every two months.
3. Clean the unit surface using little damp soft cloth, then dry it with a duster or similar.

■ Drainage

When unit running at cooling mode, condensed water will drain into water tank. Buzzer will sound 20 times while water tank gets full, error code "E4" will display in LED window, at the same time, cooling system stops running automatically, and fan will stop in 3 minutes automatically as well. If want to start cooling system, please use the following method to empty water:

A Water tank Drainage

1. Take out water tank.
2. Empty the water tank.
3. Push back water tank to its original position.

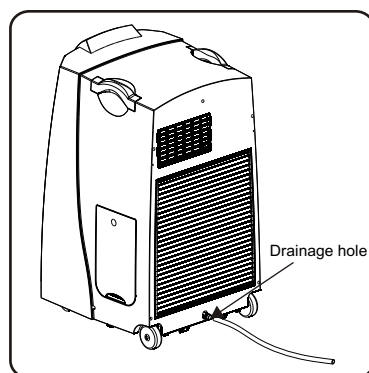


MAINTENANCES

B Continues Drainage

This product adopt continues drainage function. If you use this unit frequently, please connect the pipe to the unit properly so that the unit can drain the water successfully.

1. Disconnect the rubber plug, store it for later use.
2. Connect supplied drainage pipe to drainage hole, condensed water will flow out automatically.
3. If you want to extend drainage pipe, you can use 18mm (Inside diameter) plastic pipe and connect with the supplied drainage pipe.



Notice:

- This product's condenser water will be transferred from inside water disc to water tank; when the water tank is full, error code "E4" will display in LED window, then you can empty the water tank according to A method. If the LED shows the "E6" error code, that means the condenser water has not yet been transferred from inside water disc to water tank, therefore, you should use above B method to empty the water; the case of "E6" error code and solving the problems as following:

1. Maybe because of too much dust in the air around the product, please DO clean the filter, see below 'MAINTENANCES'.

2. Maybe because of the product has not been put balance on the ground, please DO check the balance. If above two problems has not happened, please contact with the local service provider.

If above two problems has not happened, please contact with the local service provider.

- when the unit is not using for a long time, In order to maintain the long lifetime of the unit, please empty the condensed water as below method.

1. Empty the water tank
2. Disconnect the rubber plug, store it for later use.
3. Connect supplied drainage pipe to drainage hole, condensed water will flow out automatically.
4. When all the condensed water is empty, connect the rubber plug onto drainage hole.

TECHNICAL SPECIFICATIONS

Model No	KY-44/A	
Cooling capacity(Btu/h)	15000	
Dehumidifying Capacity (L/h)	3.5	
Power(W)	Cooling	1600
	Duhumid difying	1400
Flow volume(m ³ /h)	550	
Power Source(Single phase)(V~/Hz)	220-240V~/ 50Hz	
Sound pressure level dB (A)	≤ 54	
Net Weight (kg)	50	
Dimension(mm) Length * Width * Height	Body (mm)	847x470x540
	Package (mm)	1060x530x595
Refrigerant (g)	R407C/850	
Applying space(m ²)	25~30	
Note: The above cooling capacity is measured at ambient temperature DB30°C, WB25.5°C (Indoor and outdoor, the same).		

TROUBLE SHOOTING

Before ask for repair service, please check:

PROBLEMS	CAUSES	SUGGEST SOLUTIONS
The unit does not work.	Power supply fault: 1. Not plug in; 2. Bad plug or socket; 3. Fuse broken or wire broken	1. Plug in correctly; 2. Change the plug or socket; 3. Send the unit to service center to change the fuse (fuse: 3.15A 250V)
The unit stop running automatically.	Timer is set or room temperature is lower than set temperature.	Close the TIMER or wait for it to run automatically
In cooling mode, no cool air coming out.	1. Room temperature is lower than set temperature; 2. There is frost on the evaporator.	1. It is normal phenomena; 2. The unit is defrosting, it will run after defrosting is finished.
In dehumidifying mode, no cool air coming out.	Take off air filter, and you can see frost on the surface of the evaporator.	The unit is defrosting, it will run after defrosting is finished.
Error code "E2" in LED window.	Failure of the indoor sensor.	Change the indoor sensor.
Error code "E3" in LED window.	Failure of the evaporator sensor.	Change the evaporator sensor.
Error code "E4" in LED window.	Water tank is full.	Empty water in water tank.

AFTER SALES SERVICE

When there are problems with the unit, please stop using it and ask for advice from your local dealer or manufacturer.

After running for several seasons, there will be dust covered in the air filter. This will reduce the air inflow volume to influence the working efficiency of the unit. Suggest cleaning the air filter occasionally or asking for advice from your local dealer.

When the unit working efficiency decrease distinctly, the unit is broken or other problems arise, please stop running the unit and unplug the unit. Ask for advice, repair from your local after sale service or local dealer.

Guarantee Card

Description	Mobile Air Conditioner	Model	
Shop's Name		Purchase Date	
Customer's Name		Customer's Add.	
Customer's Tel.		Invoice No.	
Guarantee Period	ONE YEAR	Series/Lot No.	

PACKING LIST

No.	Packs Name	Number
1	Mobile Air Conditioner	1
2	Exhaust Air Duct	1
3	Mid-connector	1
4	Exhausted Air Duct Inlet Connector	1
5	Exhausted Air Duct Outlet Connector	1
6	Remote Controller	1
7	Manual Instruction	1
8	Batteries	2
9	drainage Pipe (1.5 meters)	1
10	Exhausted Air Duct Cover	1